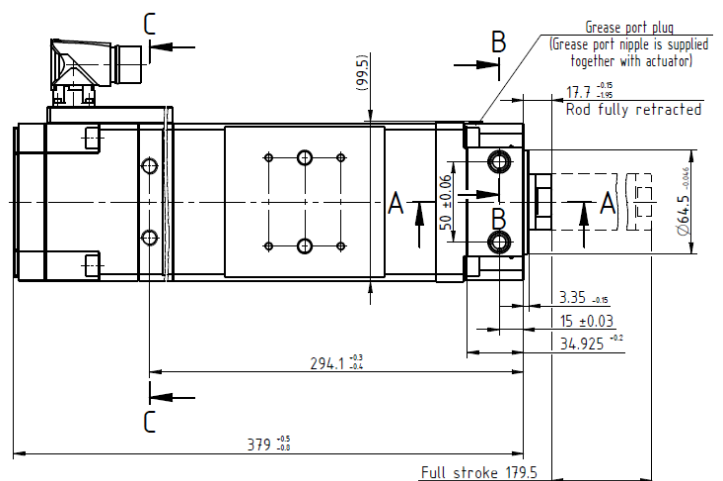
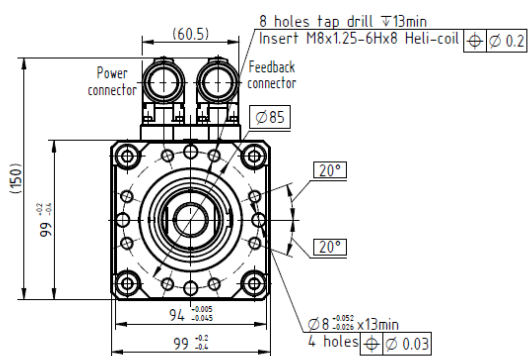


## Servo Electric Actuator

### DA99-W25-170-400-S1-SC-D65-R7-G8Z3

Parameters	Units	Value
<b>Mechanical specifications</b>		
Screw lead	mm/rev	5
Max speed	mm/sec	300
Rated speed	mm/sec	250
Full force direction	-	Push/Pull
Max force	N	22 000
Force at rated speed	N	7400
Continuous stall force	N	9700
Stroke	mm	170
Dynamic load rating (DLR)	N	56 000
Protection rating	-	IP65
Mounting	-	Frontal flange / Side mounting
Feedback sensor	-	Absolute encoder SKM36 Sick Stegmann
Options	-	No additional options
Lubrication adding port	-	On-board
Maintenance	-	Re-lubrication once in 15 mln cycles
Environment temperature	°C	from -10 to +50
Weight	kg	Not more than 12.9 kg



Electrical specifications		
Voltage	VAC	400
Number of poles (motor)	-	10
Max rotational speed	RPM	3 600
Nominal rotational speed	RPM	3 000
Rated torque	N·m	7.9
Continuous stall torque	N·m	10.3
Rated current	$A_{RMS}$	5.3
Continuous stall current	$A_{RMS}$	6.6
Peak current ( <i>duration 1 sec</i> )	$A_{RMS}$	16
Torque constant $K_T$	$N \cdot m / A_{RMS}$	1.57
Voltage constant $K_e$	$V_{RMS} / K_{RPM}$	95.0
Winding resistance $R_{ph}$	Ohm	1.62
Winding inductance $L_{ph}$	mH	6.2